

FLOTECS
Fluid/Flue solutions®

FLOTECS
2/3 Way Brass
Control Valves-
Threaded



Description

FLOTECS Brass control ball valve consists of on/off type or 3-point type actuator and these models have compact structure, stable operation, excellent capacity of water stoppage, large water flow rate, zero dirt block and low torque. Flotecs motorized ball valves are widely used in HVAC, heating, water treatment systems and some industrial equipment.

Application

HVAC system
Heating system
Water treatment system
Industrial equipment

Material

Valve body: forged brass, Hpb59-1
Seal: ball: EPDM+PTFE
Ball: stainless-steel or chromeplate brass.
Stem: EPDM3pcs O-ring



Valve body table

Model No.	Description	DN(mm)	Inch	Kvs(m ³ /h)	ΔPvmax (MPa)	Δ Ps (KPa)
W8BV215	2-way	DN15	1/2"	6.15	2.5Mpa	1400
W8BV220	2-way	DN20	3/4"	10.5	2.5Mpa	1400
W8BV225	2-way	DN25	1"	16.1	2.5Mpa	1400
W8BV232	2-way	DN32	1 1/4"	16	2.5Mpa	1400
W8BV240	2-way	DN40	1 1/2"	25	2.5Mpa	1400
W8BV250	2-way	DN50	2"	40	2.5Mpa	1400
W8BV315	3-way	DN15	1/2"	3.95	2.5Mpa	1400
W8BV320	3-way	DN20	3/4"	6.8	2.5Mpa	1400
W8BV325	3-way	DN25	1"	15.8	2.5Mpa	1400
W8BV332	3-way	DN32	1 1/4"	16	2.5Mpa	1400
W8BV340	3-way	DN40	1 1/2"	25	2.5Mpa	1400
W8BV350	3-way	DN50	2"	40	2.5Mpa	1400

Technical data

Valve body:

Medium: cold/hot water, with 50% glycol

Temperature of medium: 2°C...90°C

Rated pressure: PN20

Pipe connector: internal thread

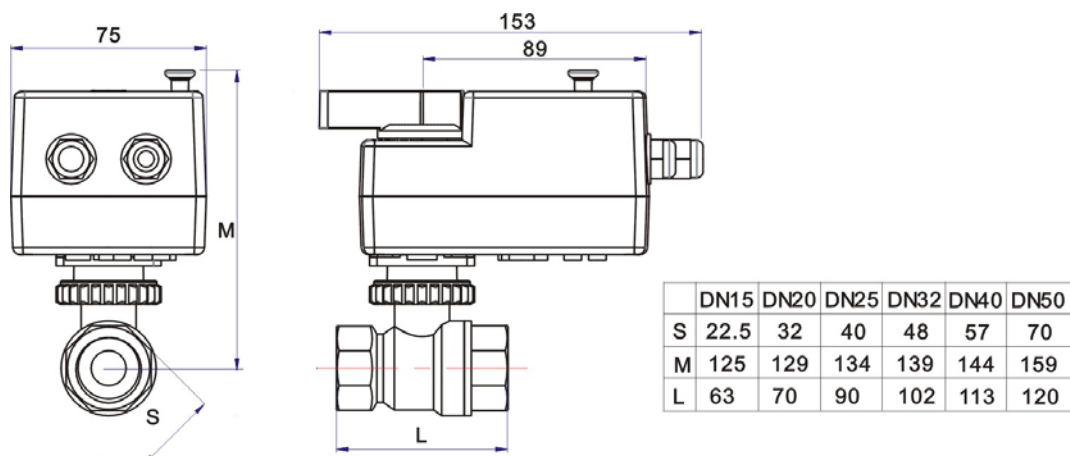
Ambient temp. range: -5...+60°C

Size: G1/2" -G2"

Valve type: 2-way and 3-way

Flow characteristic: equal percentage, on/off

Dimensions



Actuator

Model	Control	Power	Torque (N.m)	On/off Time S
WRA3-104	3-point	220VAC	4	15
WRA3-110	3-point	220VAC	10	42
WRA3-11010	3-point	110VAC	10	42
WRA3-210	3-point	24VAC	10	42
WRA3-104A	On/off	220VAC	4	15
WRA3-110A	On/off	220VAC	10	42
WRA3-11010A	On/off	110VAC	10	42
WRA3-210A	On/off	24VAC	10	42

Function (3-point, on/off)

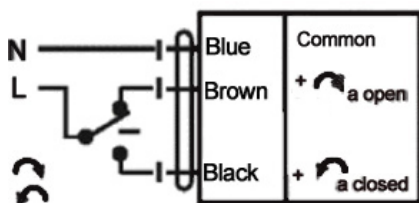
WRA3-104/110/11010/210

Black wire is power on Valve close
 Brown wire is power on Valve open
 Brown or blue wire is power off Valve keep the current position
 Blue wire is connected to the null wire.
Brown wire and Black wire cannot be energized at the same time.

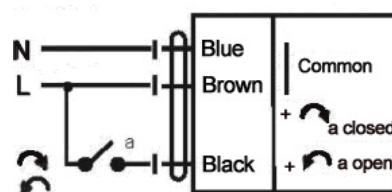
WRA3-104A/110A/11010A/210A

Black wire is the control wire. Power on: valve open, power off: valve close
 Blue wire is connected to the com. Brown wire is connected to the power wire.

Wiring Diagram



WRA3-104/110/11010/210



WRA3-104A/110A/11010A/210A

FLOTECS **2/3 Way Brass** **Control Valves-** **Threaded**

FLOTECS
Fluid/Flue solutions[®]

www.flotecs.co.uk / sales@flotecs.co.uk

