

FLOTECS
Fluid/Flue solutions®

FLOTECS 3 Way Stainless Steel Control Valves - Flanged



Introduction

Manufactured in stainless steel, this ball valve is suitable for waste, water and other chemical process applications. Applicable when a flanged connection is needed, it is also fire safe. An electric motor opens and closes the valve.

Electric Actuator

ON/OFF Type Feedback: the Active Contact Signal, Passive Contact Signal, Resistance, 4-20mA

Regulation Type Input & Output Signal: DC 4-20mA, DC 0-10V, DC 1-5V

Field Operation The Field, Remote Control Switch Regulation and MODBUS, PROFIBUS Field Bus

Voltage Optional AC 110-240V 380V 50/60Hz; DC12V, DC24V, Special Voltage Can be Customized

Protection Class IP65

Valve Body		Valve Components	
Size Range	DN15 ~ DN200	Body Material	Stainless Steel, WCB
Operating Pressure	1.6Mpa ~ 6.4Mpa	Core Material	Stainless Steel, WCB
End Connection	Flange	Sealing Material	PTFE: -30C~180C / PPL: -30C~250C
Structure	3 way L-Port / T-Port	Applicable Media	Control Of Water, Air, Gas, Oil, Liquid, Steam

FLOTECS 3 Way Stainless Steel Control Valves - Flanged

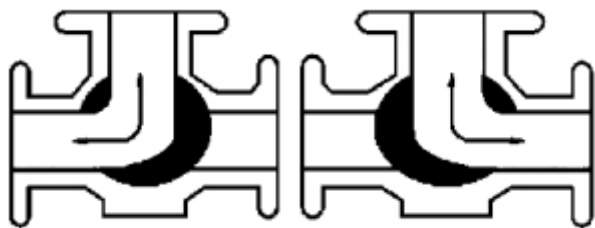
- Fire protection design
- ISO5211 standard direct mounting actuator
- Antistatic device between the core and the valve body
- Stem explosion-proof design
- Double butterfly shaped spring automatic compression packing design
- Allow pressure differential: Less than nominal pressure 1.6MPa
- Leakage: Zero leakage
- Return difference: $\pm 2.5\%$

Design and manufacturing standards

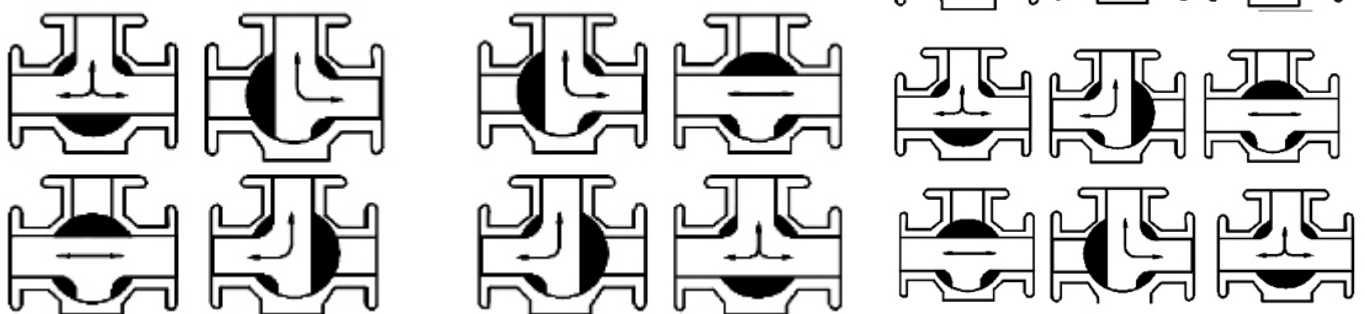
- Design standard: GB/T12238-2008
- Structure length: GB/T12221-2005
- Connection standard: JB/T 79.1-1994
- Pressure testing: GB/T13927-2008

3 way ball valve flow diagram

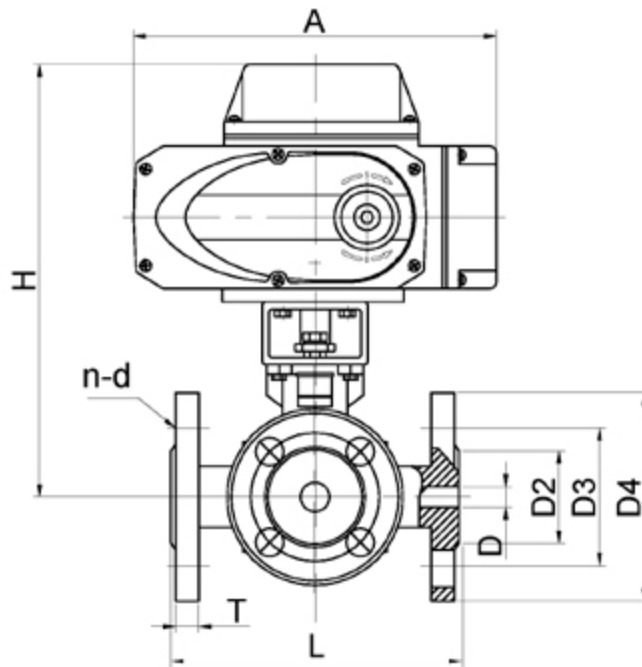
Cooperate with 0-90 degrees rotating actuator, can realize the following flow



3 way T-type (Four kinds of flow directions)



Valve Dimension Table:



DN	A	H	L	D	D2	D3	D4	T	n-d
15	157	250	150	15	45	65	95	14	14
20	157	255	164	20	55	75	105	16	14
25	157	266	180	25	65	85	115	16	14
32	157	273	200	32	78	100	140	18	18
40	208	304	220	40	85	110	150	18	18
50	208	313	240	50	100	125	165	20	18
65	256	340	260	65	120	145	185	20	18
80	256	360	280	80	135	160	200	20	18
100	280	410	320	100	155	180	220	22	18
125	280	470	380	125	185	210	250	22	18
150			440	150	210	240	285	24	22
200			550	200	265	295	340	24	22

FLOTECS 3 Way Stainless Steel Control Valves - Flanged

FLOTECS
Fluid/Flue solutions[®]

www.flotecs.co.uk / sales@flotecs.co.uk

