

**FLOTECS**  
Fluid/Flue solutions®

**FLOTECS 3 Way  
Stainless Steel  
Control Valves-  
Threaded**



### Product introduction

FLOTECS electric 3 way ball valve can be divided into L-type and T-type, and T-type has four kinds of directions, L-type has one type direction - see valve flow diagrams. Match with electric actuator and pneumatic actuator to facilitate automatic control. 3 way ball valve seat material: PTFE, PPL, hard steel, suitable for temperature range of 180-380 degrees. Please note the 3 way flow directions when ordering.

### Standard technical parameters

#### Body

Nominal size: ½” – 2”

Body material: 304, 316, 316L

Connection type: Inner thread

Pressure class: PN16-PN6.3MPa

Structure type: Floating ball core 3 way L-type, 3 way T-type

#### Valve components

Seat material: PTFE: -30~180Centigrades

PPL: -30~250 Centigrades

Core material: 304, 316, 316L;

Stem material: 304

Applicable medium: Water, liquids, oil, gas, powder, steam, acid-base medium, etc

**Performance**

- Fire protection design
- ISO5211 standard direct mounting actuator
- Antistatic device between the core and the valve body
- Stem explosion-proof design
- Double butterfly shaped spring automatic compression packing design
- Allow pressure differential: Less than nominal pressure 1.6MPa
- Leakage: Zero leakage
- Return difference: ±2.5%

**Design and manufacturing standards**

- Design standard: GB/T12238-2008
- Structure length: GB/T12221-2005
- Connection standard: JB/T 79.1-1994
- Pressure testing: GB/T13927-2008

**Electric actuator**

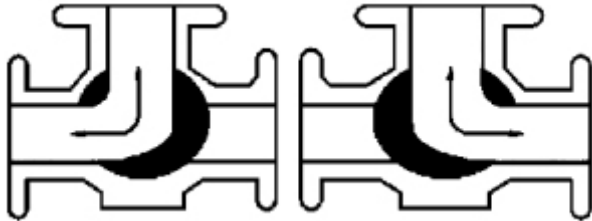
- On-off type: feedback signal: Passive contact signal/4-20mA/ resistance signals.
- Regulation type: Input signal 4-20mA/0-10V/1-5V;
- Feedback signal: 4-20mA/0-10V/1-5V
- Voltage: AC220V\380V\110V\24V、 DC12V\24V etc; Special voltage can be customized.
- Explosion-proof class: Can be choose explosion-proof type EX d IIBT4

Type	Control type	Function
<b>Electric actuator</b>	ON-OFF type	Feedback: the active signal, passive contact signal, resistance, 4-20mA
	Regulation type	Input and output signal: 4-20mA, 0-10v, 1-5v, switch, MODBUS, PROFIBUS field bus
	Filed operation	The field, remote control switch regulation and MODBUS, PROFIBUS field bus

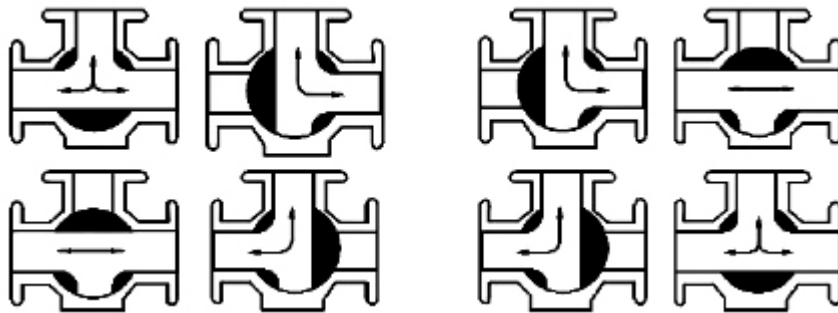
### 3 Way ball valve flow diagram

Cooperate with 0-90 degrees rotating actuator, can realize the following flow:

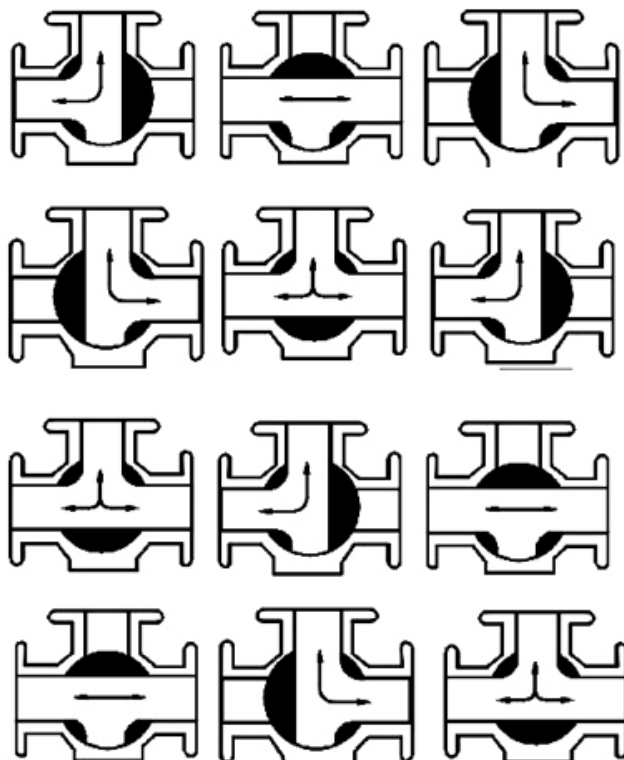
#### 1. 3 way L-type



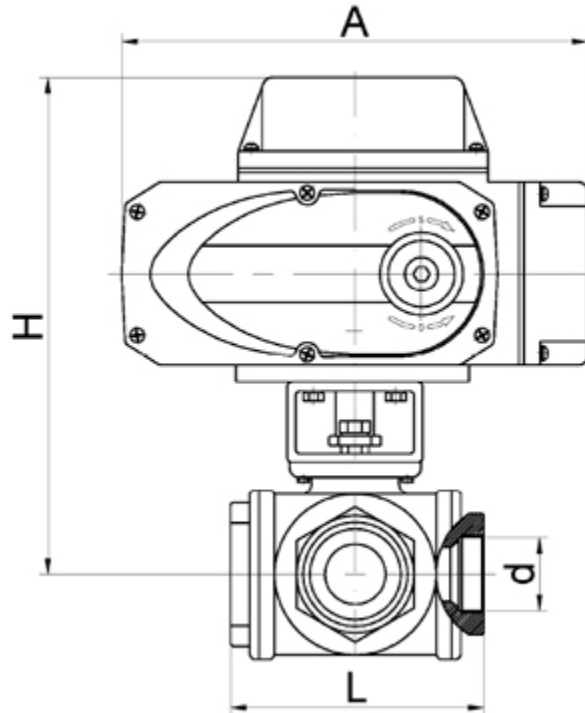
#### 2. 3 Way T-type (Four kinds of flow directions)



Cooperate with 0-90-180 can realize the below flow:



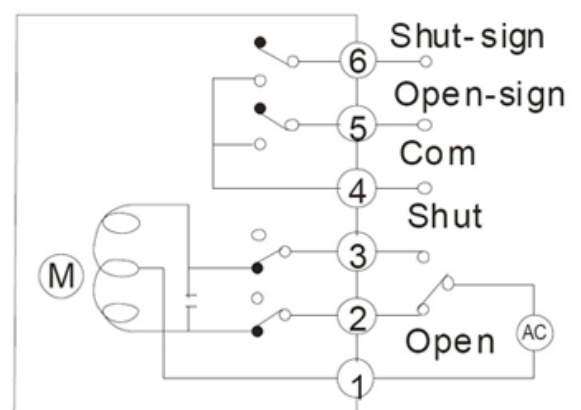
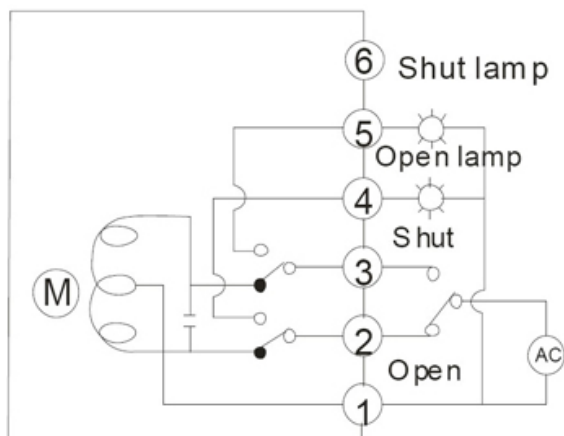
Valve Dimension Table:



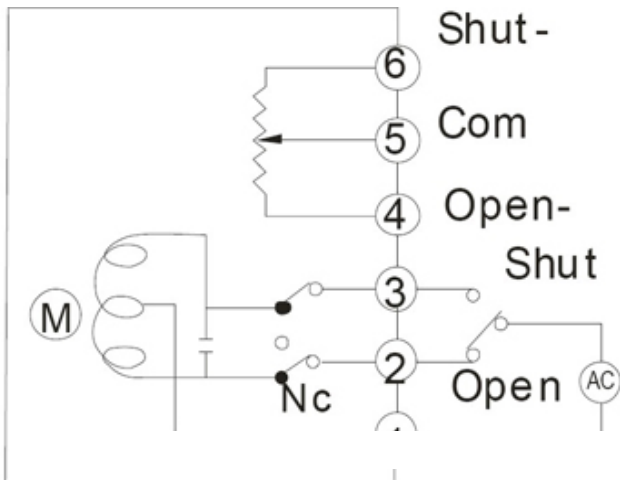
DN	A	H	L	D
15	157	200	79	15
20	157	207	88	20
25	157	237	108	25
32	157	242	124	32
40	208	277	135	40
50	208	308	164	50

On-off type with light indicator signal feedback

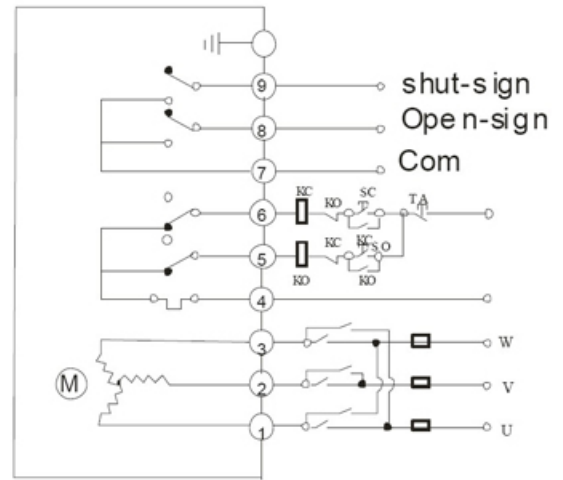
On-off type with passive contact signal feedback



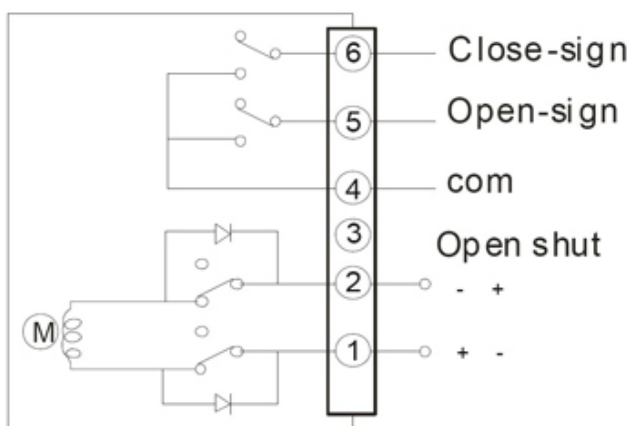
On-off type with resistance potentiometer feedback wiring diagram



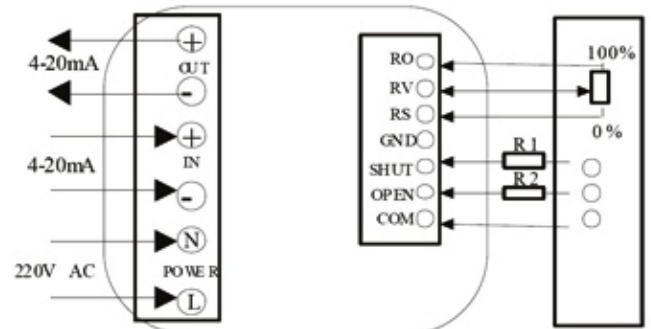
AC380V three-phase power supply wiring diagram with passive signal feedback



DC24V/ DC12V direct on-off type wiring diagram



Intelligent regulation type electric actuator wiring diagram



# **FLOTECS 3 Way Stainless Steel Control Valves - Threaded**

**FLOTECS**  
Fluid/Flue solutions<sup>®</sup>

[www.flotecs.co.uk](http://www.flotecs.co.uk) / [sales@flotecs.co.uk](mailto:sales@flotecs.co.uk)

