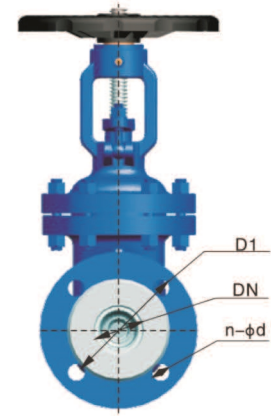
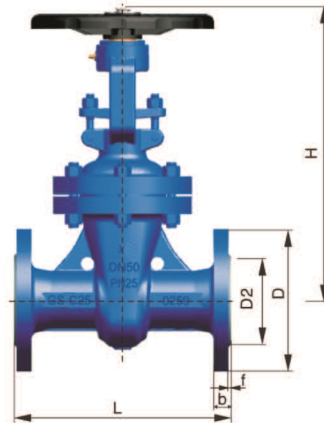
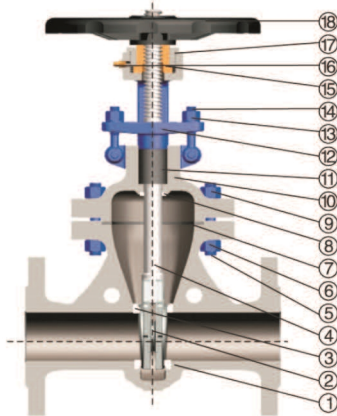


FLOTECS
Fluid/Flue solutions®

GATE VALVE

GATE VALVE



TECHNICAL SPECIFICATION

Design standard: DIN 3356
 Face to face dimension: DIN 3202
 Flanged ends: DIN 2543-2545
 Test & inspection: DIN 3230

PERFORMANCE SPECIFICATION

Nominal Pressure		PN	Mpa
Test Pressure	Strength test	1.5PN	
	Sealing test	1.1PN	
	Gas seal test	0.6	
Suitable temp		--	-196°C~600°C

PERFORMANCE SPECIFICATION

NO.	Part name	Material
1	Body	GS-C25, 1.4301, 1.4401
2	Disc	GS-C25+1.4201/1.4301
3	Seat	1.4301, Stellite
4	Stem	1.4021, 1.4301, 1.4401
5	Double-headed bolt	ASTM 193-B7, A193-B8
6	Nut	ASTM 194-2H, A194-8
7	Metal gasket	Stainless steel
8	Back seal	1.4021, 1.4301
9	Nut	ASTM 194-2H, A194-8
10	Cover	GS-C25, 1.4301, 1.4401
11	Packing	Flexible graphite
12	Gland	GS-C25, 1.4301
13	Nut	ASTM 194-2H, A194-8
14	Jack bolt	ASTM 193-B7, A193-B8
15	Stem nut	Copper alloy, D2, BL2
16	Oil cup	Assemble
17	Cap	1C45, 1.4301, 1.4401
18	Hand wheel	Carbon steel

MAIN CONNECTION SIZES

PN 16								
DN	Main connection size							
	L	D	D1	D2	b	f	H	n-φd
40	240	150	110	88	18	3	305	4-φ18
50	250	165	125	102	20	3	344	4-φ18
65	270	185	145	122	20	3	377	4-φ18
80	280	200	160	138	20	3	415	8-φ18
100	300	220	180	158	20	3	473	8-φ18
125	325	250	210	188	22	3	505	8-φ18
150	350	285	240	212	22	3	550	8-φ22
200	400	340	295	268	24	3	815	12-φ22
250	450	405	355	320	26	3	969	12-φ26
300	500	460	410	378	28	4	1145	12-φ26
350	550	520	470	438	30	4	1300	16-φ26
400	600	580	525	490	32	4	1450	16-φ30
450	650	640	585	548	34	4	1597	20-φ30
500	700	715	650	610	36	4	1755	20-φ33
600	800	840	770	725	40	5	1985	20-φ36

PN 25								
DN	Main connection size							
	L	D	D1	D2	b	f	H	n-φd
40	240	150	110	88	18	3	305	4-φ18
50	250	165	125	102	20	3	344	4-φ18
65	270	185	145	122	22	3	377	8-φ18
80	280	200	160	138	24	3	415	8-φ18
100	300	235	180	162	24	3	473	8-φ22
125	325	270	210	188	26	3	505	8-φ26
150	350	300	240	218	28	3	550	8-φ26
200	400	360	295	278	30	3	815	12-φ26
250	450	425	355	335	32	3	969	12-φ30
300	500	485	410	395	34	4	1145	16-φ30
350	550	555	470	450	38	4	1300	16-φ33
400	600	620	525	505	40	4	1450	16-φ36
450	650	670	585	548	42	4	1597	20-φ36
500	700	730	650	566	44	4	1755	20-φ36
600	800	845	770	670	46	5	1985	20-φ39

PN 40								
DN	Main connection size							
	L	D	D1	D2	b	f	H	n-φd
40	240	150	110	88	18	3	305	4-φ18
50	250	165	125	102	20	3	344	4-φ18
65	270	185	145	122	22	3	377	8-φ18
80	280	200	160	138	24	3	415	8-φ18
100	300	235	180	162	24	3	473	8-φ22
125	325	270	210	188	26	3	505	8-φ26
150	350	300	240	218	28	3	550	8-φ26
200	400	375	295	285	34	3	815	12-φ30
250	450	450	355	345	38	3	969	12-φ33
300	500	515	410	410	42	4	1145	16-φ33
350	550	580	470	465	46	4	1300	16-φ36
400	600	660	525	535	50	4	1450	16-φ39
450	650	685	585	560	50	4	1597	20-φ39
500	700	755	650	615	52	4	1755	20-φ42
600	800	890	770	735	60	5	1985	20-φ48

GATE VALVE

FLOTECS
Fluid/Flue solutions[®]

www.flotecs.co.uk / sales@flotecs.co.uk

