

FLOTECS
Fluid/Flue solutions®

Flotecs Thermostatic Mixing Valve

www.flotecs.co.uk / sales@flotecs.co.uk



C - SERIES



B - SERIES

The thermostatic valve ensures the water temperature's consistency is not affected by changes of water temperature, flow rate and water pressure.

TMV solves the problem of sudden cold and heat of water temperature while bathing. the mixing valve will automatically turn off the hot water instantly when meeting a sudden cold water interruption and played the role of safety protection.

The thermostatic element controls the movement of spool in valve at the mixing outlet of the thermostatic faucet to block or open the inlet of cold or hot water.

After temperature setting, the thermostatic faucet will adjust the proportion of cold and hot water at the inlet so that the temperature of the outlet remains constant.

As described above, sanitary bath and plumbing industries have very high requirements on sensitivity and precision of thermostatic element in some special working conditions and safety protection conditions. The diaphragm structure is basically adopted in this industry.

The thermostatic element produced by FLOTECS with its own patented formula is widely recognized, praised and applied in the industry for its sensitivity and accuracy. It has also passed the European experimental institutions product certification (ACSS WRAS).

The use of a thermostatic element produced by FLOTECS for thermostatic faucet and thermostatic mixing valve will meet or satisfy EN-1111, EN-1999, EN-1287, NHSD08, ASSE1070, ASSE1071, ASSE1016, ASSE1017, CSAB125.3, etc requirements.



Thermostatic Mixing Valve C - series

Feature

- Thermostatic protection
- Single piece thermostatic cartridge construction
- Automatic shut off in the event of hot or cold water failure
- High flow rate, low pressure drops
- Adjustable outlet temperature
- Temperature stability $\pm 2^{\circ}\text{C}$
- Integral Check Valves and Strainers
- Easy installation
- EN1111 EN1999 and B2606-2006 standard
- Brass valve body

Technical Parameters

Model	Work Pressure	Max Pressure	Cold Water Temperature	Hot Water Temperature	Mix Temperature	Max Flow	Connection
DN15	0.1MPa-0.5MPa	16Bar	0-29°C	60°C - 90°C	30°C-50°C	20L/Min	1/2"
DN20	0.1MPa-0.5MPa	16Bar	0-29°C	60°C - 90°C	30°C-50°C	30L/Min	3/4"
DN25	0.1MPa-0.5MPa	16Bar	0-29°C	70°C - 90°C	30°C-60°C	75L/Min	1"
DN32	0.1MPa-0.5MPa	16Bar	0-29°C	70°C - 90°C	30°C-60°C	100L/Min	1 1/4"
DN40	0.1MPa-0.5MPa	16Bar	0-29°C	70°C - 90°C	30°C-60°C	130L/Min	1 1/2"
DN50	0.1MPa-0.5MPa	16Bar	0-29°C	70°C - 90°C	30°C-60°C	180L/Min	2"

Application

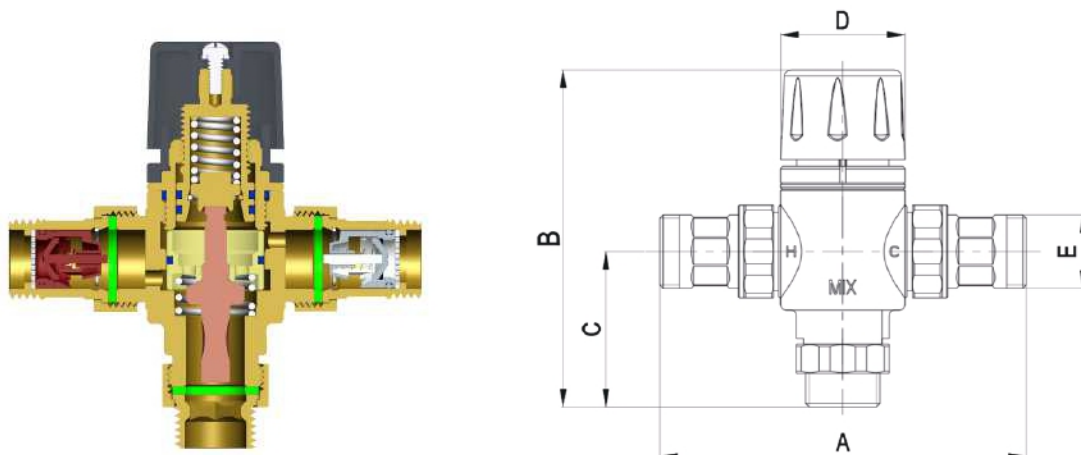
- Sanitary
- Heating and cooling system
- Solar and electric water heating system

Customize Solution

If you are not sure about the parameters of thermostatic mixing valve, our engineering team will assist you with your selection or customize according to these details as follow .

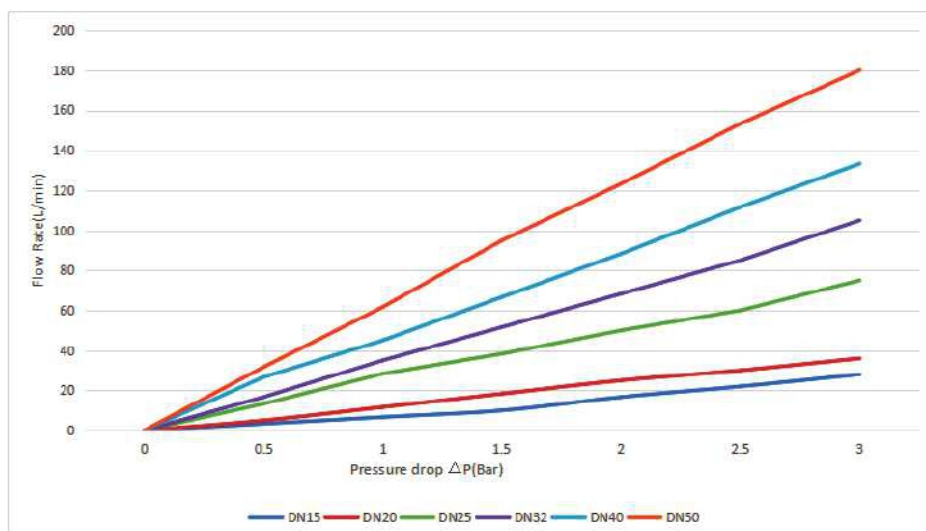
- Mixing water temperature range
- Pressure and loss of pressure
- Performance standard
- Custom material and other parts

Dimensions



Dimension: Models:	A	B	C	D	E
DN15	75mm	90mm	40mm	33mm	G1/2"
DN20	83mm	100mm	45mm	38mm	G3/4"
DN25	113mm	110mm	55mm	45mm	G1"
DN32	94mm	140mm	70mm	45mm	G1 1/4"
DN40	117mm	169mm	85mm	45mm	G1 1/2"
DN50	142mm	200mm	113mm	45mm	G2"

Flow Curve



Thermostatic Mixing Valve B - series



Feature

- Thermostatic protection
- Single piece thermostatic cartridge construction
- Automatic shut off in the event of hot or cold water failure
- High flow rate, low pressure drops
- Adjustable outlet temperature
- Temperature stability $\pm 2^{\circ}\text{C}$
- Integral Check Valves and Strainers
- Easy installation
- QB2606-2006
- Brass valve body

Technical Parameters

Model	Work Pressure	Max Pressure	Cold Water Temperature	Hot Water Temperature	Mix Temperature	Max Flow	Connection
DN15	0.1MPa-0.5MPa	16Bar	4-29°C	60°C - 90°C	30°C- 45°C	24L/Min	1/2"
DN20	0.1MPa-0.5MPa	16Bar	4-29°C	60°C - 90°C	30°C- 45°C	34L/Min	3/4"

Application

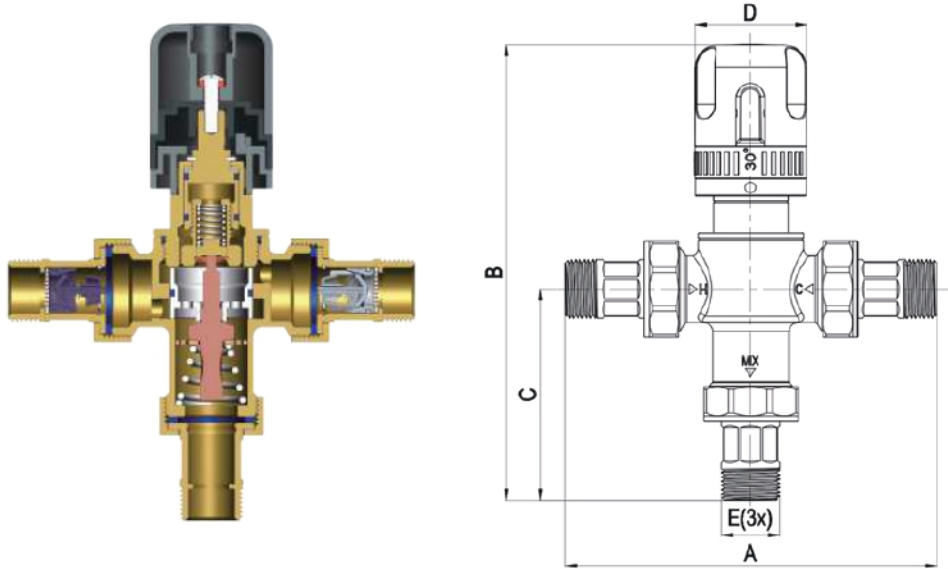
- Sanitary
- Heating and cooling system
- Solar and electric water heating system

Customize Solution

If you are not sure about the parameters of thermostatic mixing valve, our engineering team will assist you with your selection or customize according to these details as follow:

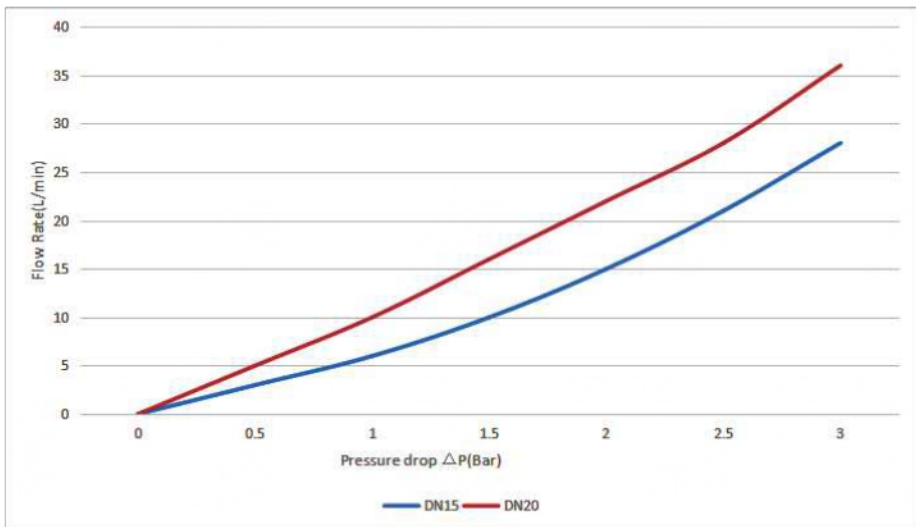
- Mixing water temperature range
- Pressure and loss of pressure
- Performance standard
- Custom material and other parts

Dimensions



Dimension:	A	B	C	D	E
Models:					
DN15	70mm	80mm	40mm	40mm	G1/2"
DN20	85mm	100mm	50mm	40mm	G3/4"

Flow Curve



Flotecs Thermostatic Mixing Valve

FLOTECS
Fluid/Flue solutions[®]

www.flotecs.co.uk / sales@flotecs.co.uk

