

FLOTECS
Fluid/Flue solutions®

FLOTECS
Hose Bibbs

Hose Bibbs

with Separate Tamper-proof Vacuum Breaker

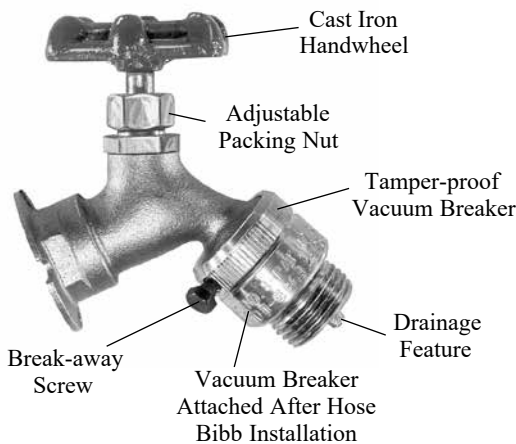
Flotecs offers six types of hose bibbs, each supplied with a separate vacuum breaker for installation after the hose bibb is in place. Once securely attached, the vacuum breaker becomes tamper-proof, ensuring reliable back-siphonage protection for potable water connections to hose thread faucets. Garden hoses, as extensions of the plumbing system, can pose serious health risks if unprotected—potentially causing illness or even death in applications such as chemical spraying, tank or pipe flushing, and pool filling.

- FHB-1 No kink faucet, ½" male NPT or copper sweat connection with vacuum breaker.
- FHB-2 No kink hose faucet, ¾" copper sweat connection with vacuum breaker.
- FHB-3 Lawn faucet, ½" or ¾" regular pattern, dual sweat connection with vacuum breaker.
- FHB-4 Lawn faucet, ¾" female NPT regular pattern with vacuum breaker.
- FHB-5 Hose bibb hex shoulder, ½" male NPT with tee handle and vacuum breaker.
- FHB-6 Hose bibb hex shoulder, ¾" male NPT with tee handle and vacuum breaker.



Features

- Backflow backsiphonage protection
Separate non-removable vacuum breaker (with break-away screw)

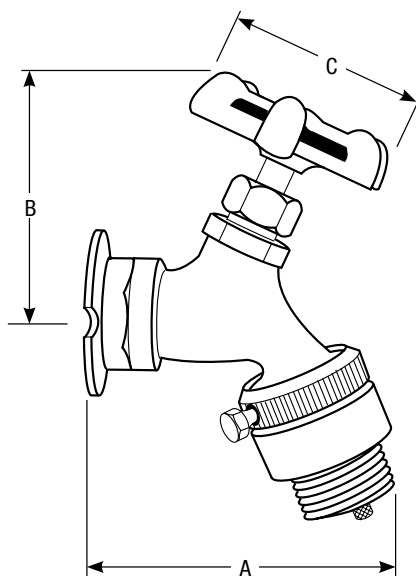


NOTICE

The information contained herein is not intended to replace the full product installation and safety information available or the experience of a trained product installer. You are required to thoroughly read all installation instructions and product safety information before beginning the installation of this product.

NOTICE

Inquire with governing authorities for local installation requirements



MODEL	ORDER NO.	SIZE	DESCRIPTION	DIMENSIONS			WEIGHT
				A mm.	B mm.	C mm.	
		<i>in.</i>					<i>kgs.</i>
NO KINK HOSE FAUCET with tee handle and vacuum breaker							
FHB-1	611150	½	Male I.P. or Copper Connection	79	64	57	.34
FHB-2	611250	¾	Copper Connection	79	64	57	.34
LAWN FAUCET (Sillcock) with cast iron handwheel and vacuum breaker							
FHB-3	611350	½ or ¾	Regular Pattern, Dual Connections	83	64	57	.34
FHB-4	611450	¾	I.P. Regular Pattern	83	64	57	.34
HOSE BIBB HEX SHOULDER with tee handle							
FHB-5	611550	½	I.P. Inlet Hose End	92	51	57	.34
FHB-6	611650	¾	I.P. Inlet Hose End	95	51	57	.34

FLOTECS Hose Bibbs

FLOTECS
Fluid/Flue solutions[®]

www.flotecs.co.uk / sales@flotecs.co.uk

