

**FLOTECS**  
Fluid/Flue solutions®

**FLOTECS**  
**Liquid Fill**  
**Thermometers**

### Series FTML

#### Liquid Fill Angle Thermometers

#### Size: DN127

Series FTML Liquid Fill Angle Lead Free\* Thermometers are used in commercial, residential, and institutional HVAC applications.

These thermometers are sealed glass tube type models with polypropylene cases, glass lens, non-mercury sensing fluids, and Lead Free\* brass thermowells. The FTML features Lead Free\* construction to comply with Lead Free\* installation requirements. Accuracy is +/-2 % of full scale. Series FTML thermometers are available in various temperature rating scales.

#### Features

- Polypropylene case
- Glass lens
- Non-Mercury sensing fluids
- Lead Free\* brass 1/2" NPT thermowell

#### Material

Material	Standard
Case	Polypropylene
Lens	Glass
Thermowell	Lead Free* Brass
Sensing Fluid	Non-Mercury bed

#### Installation Dimensions

Size in.	Model	TEMP. RANGE °F	STEM mm	Dimensions					Weight kgs
				A mm	B mm	C mm	D mm	E mm	
1/2	FTML-5-2 30-240	30-240	33	34	79	48	21	147	.24

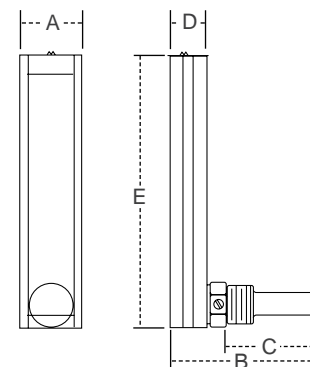


#### Specification

ASME B40.100  
EN ISO 9001:2008  
EN ISO 14001:2004

#### Pressure-Temperature

- Working Temperature Range: 32°F to 932°F (0°C to 500°C)



## Series FTM-F

### Liquid-Fill, Adjustable Angle Thermometers

#### Size: DN228

Series FTM-F Liquid-Fill, Adjustable Angle Lead Free\* Thermometers are used in commercial, residential, and institutional HVAC applications. These thermometers are sealed glass tube type models with a Valox case, glass lens, non-mercury sensing fluids, and a Lead Free\* brass thermowell. The FTM-F features Lead Free\* construction to comply with Lead Free\* installation requirements. Accuracy is +/-1 % of full scale. Series FTM-F thermometers are available in various temperature rating scales.

#### Features

- Valox case
- Glass lens
- Non-Mercury sensing fluids
- Lead Free\* Brass thermowell

#### Material

Material	Standard
Case	Valox
Lens	Glass
Thermowell	Lead Free* Brass
Sensing Material	Organic fill

#### Installation Dimensions

Size in.	Model	Temp. Range °F	STEM mm	Dimensions				Weight kgs
				A mm	B mm	C mm	D mm	
3/4	FTM-F-9-3.5 0-12	0-120	89	60	442	144	26	.75
3/4	FTM-F-9-3.5 0-160	20-160	89	60	442	144	26	.75
3/4	FTM-F-9-3.5 30-240	30-240	89	60	442	144	26	.75

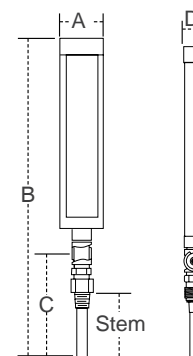


#### Specification

ASME B40.100  
EN ISO 9001:2008  
EN ISO 14001:2004

#### Pressure-Temperature

- Working Temperature Range: From -40°F to 300°F (From -40°C to 148°C)



# **FLOTECS**

## **Liquid Fill**

### **Thermometers**

**FLOTECS**  
Fluid/Flue solutions<sup>®</sup>

[www.flotecs.co.uk](http://www.flotecs.co.uk) / [sales@flotecs.co.uk](mailto:sales@flotecs.co.uk)

