

**FLOTECS**  
Fluid/Flue solutions®

**FLOTECS**  
**Piping**  
**Components**

### Series FYS

#### Bronze Y-Type Strainer

#### Size: DN15-DN50

The Flotecs FYS Bronze Strainer is designed to remove impurities in the medium to protect valve and equipment for normal use. The Series is generally used in chilled water, potable water and other water treatment applications.

#### Features

- Low resistance
- Simple structure and convenient installation & cleaning
- Large pollutant-holding volume and convenient pollutant discharge
- Easy to install and to operate

#### Pressure-Temperature

- Nominal Pressure: PN20
- Temperature Range: 0 °C ~170 °

#### Test Pressures

Pneumatic	Hydraulic
Shell: 6 bar	Shell: 30 bar
Shell: 6 bar	Seat: 22 bar

#### Material

NO.	Component	Material
1	Body	Bronze
2	Screen	Stainless Steel
3	Gasket	PTFE
4	Cap	Bronze
5	ID Plate	Aluminum

#### Installation Dimensions

DN	L	H	A	Weight(kg)
DN15	58	40	15	0.162
DN20	70	51	16.3	0.273
DN25	88	57.6	19.1	0.384
DN32	96	68.5	21.4	0.641
DN40	107	74	21.4	0.886
DN50	126	95	24	1.425

\*Available in both connections standard BSPT & NPT

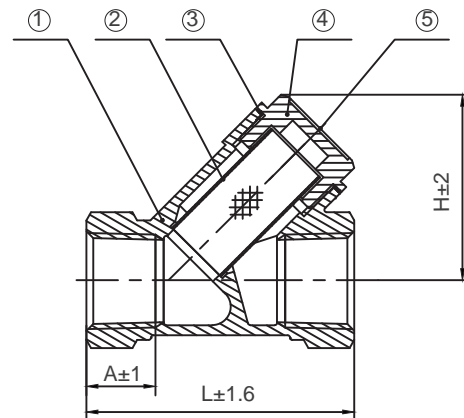
#### Screen Specifications

Meshes of Strainer for YG11-20/20N				
Spe.	Meshes/cm2	Thickness	Diameter of Hole	Free Area percentage
DN15	56-60	0.3-0.35	0.7-0.8	45-50%
DN20				
DN25	26-28	0.4	1.4	50-55%
DN32				
DN40				
DN50				



#### Specification

- Connection Standard: Threaded to ISO 7-1 BSPT. Available with NPT threading Model FYS
- Test Standard: BS675
- Medium: water



## Series FCV

### Bronze Check Valve

#### Size: DN15-DN50

The Flotecs B5002 Bronze Check Valve is designed to protect against medium backflow. The series is suitable for potable water application.

#### Features

- Simple Structure
- Low head lose
- Long Service Life

#### Pressure-Temperature

- Nominal Pressure: PN16, PN20
- Temperature Range: 0 °C ~80 °

#### Test Pressures

Pneumatic	Hydraulic
Shell: 6 bar	Shell: 30 bar
Shell: 6 bar	Seat: 22 bar

#### Material

NO.	Component	Material
1	Drive Screw	Copper
2	Name Plate	Aluminum
3	Cap	Bronze
4	Packing	PTFE
5	Hinge Pin	Stainless Steel
6	Hinge	Bronze
7	Disc	NBR
8	Disc Holder	Bronze
9	Hinge Nut	Stainless Steel
10	Body	Bronze

#### Installation Dimensions

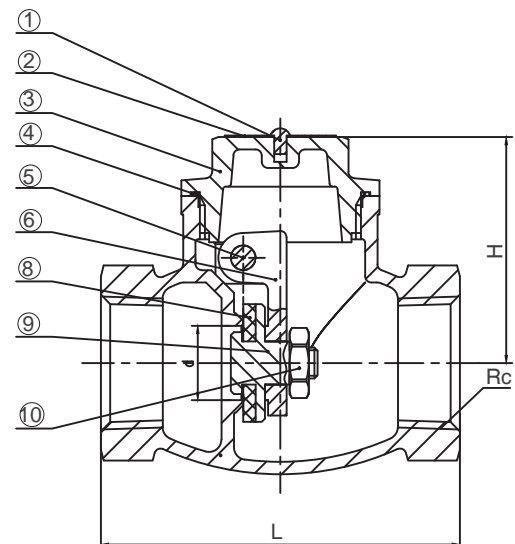
DN	Rc	d	L	H	A	Weight(kg)
DN15	1/2	12	58	36.5	10	0.22
DN20	3/4	18	66	43	11	0.37
DN25	1	24	76	49	12.7	0.54
DN32	1 1/4	30.6	88	57	14.5	0.83
DN40	1 1/2	37	96	62.5	15	1.12
DN50	2	48.6	112	72	18	1.74

\*Available in both connection standard BSPT & NPT



#### Specification

- Design Standard: GB/T 8464/ MSS SP-8
- Connection Standard: Threaded to • ISO 7-1 BSPT, Available with NPT threading Model B5002N
- Test Standard: BS675
- Medium: water, oil, steam



# **FLOTECS**

## **Piping**

## **Components**

**FLOTECS**  
Fluid/Flue solutions<sup>®</sup>

[www.flotecs.co.uk](http://www.flotecs.co.uk) / [sales@flotecs.co.uk](mailto:sales@flotecs.co.uk)

