

**FLOTECS**  
Fluid/Flue solutions®

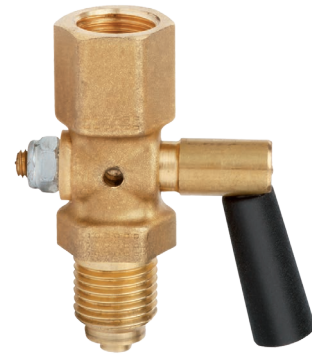
# **FLOTECS Stopcock**

**for pressure measuring instruments**

### Stopcock for pressure measuring instruments brass, steel or stainless steel

#### Applications

Shut-off device for pressure measuring instruments, for measurement of liquids, gases and vapours



**Stopcock**  
Female / male G ½ / G ½ B, DIN 16261, PN 25

#### Description

Stopcocks provide the opportunity to either vent the connected pressure gauge according to the position of the handle (venting position), i.e. put it into a pressure-free state, or to vent the pressure measuring instrument under pressure (operating position) or to let the medium escape (blow position). The table on page 2 lists the nominal pressure PN for each version.

For higher pressures shut-off valves must be used.

#### Test connection version

Stopcocks with test connection are intended for the simultaneous connection of operating pressure measuring instruments and test connection pressure gauges to the pressure pipeline. With this version, the third route, which leads to the outside at the standard version, is used as connection for a test connection pressure gauge. A fourth position of the handle enables the simultaneous connection of the operating and the test connection pressure measuring instruments to the pressure pipeline.

#### Standard version

##### Cock case (wetted part) and handle

Material: Brass CW614N <sup>1)</sup>, bright

Handle installed in the case with silicon free grease

##### Test connection

Test pivot M20 x 1.5

or test flange Ø 40 x 5 mm resp. 60 x 25 x 10 mm

#### Options

- Wetted parts: Brass, CW614N <sup>1)</sup>, chrome plated  
Steel  
Stainless steel 1.4571
- With gland packing, without venting bore (only at standard version)
- Special threads

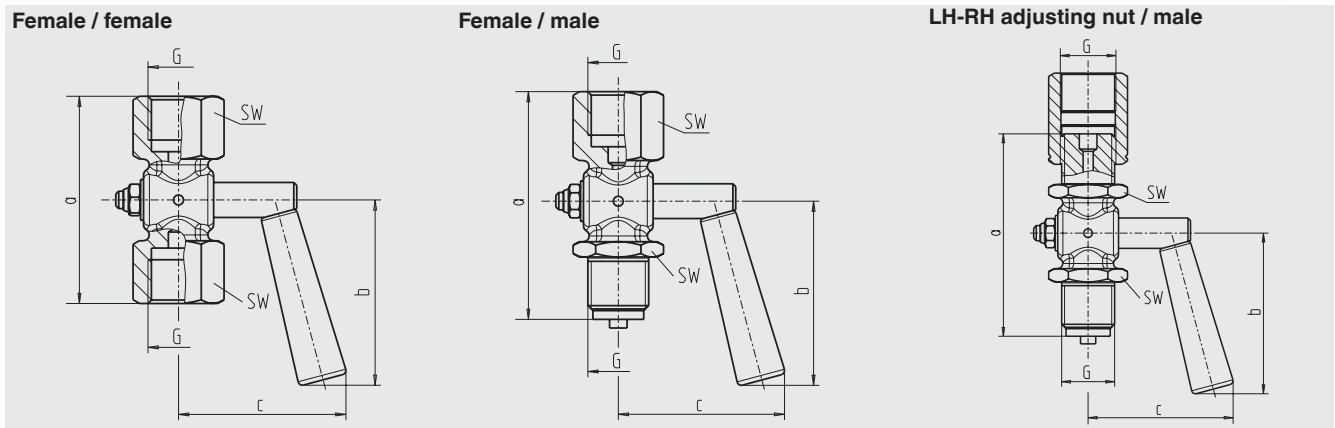
Design	Connection	PN in bar	Wetted parts
<b>Female / female</b>	G ¼	6	Brass
	G ⅜	16	Brass
	G ½	25	Brass
■ With test flange Ø 40 x 5	G ½	25	Brass
■ With test flange 60 x 25 x 10	G ½	25	Brass
■ With gland packing <sup>2)</sup>	G ½	25	Brass
<b>Female / male</b>	G ¼	6	Brass
	G ⅜	16	Brass
	G ½	25	Brass
■ With test flange Ø 40 x 5	G ½	25	Brass
■ With test flange 60 x 25 x 10	G ½	25	Brass
■ With gland packing <sup>2)</sup>	G ½	25	Brass
■ With test connection M20 x 1,5	G ½	16	Brass
■ With test connection M20 x 1,5	G ½	16	1.4571

1) Alternative: Brass CW617N

2) Medium temperature ≤ +80 °C without venting bore

## Dimensions in mm

### Standard version



Design	Entry per EN 837-1	Dimensions in mm			SW	Weight in kg
		a ±3	b ±3	c ±3		
Female / female	G ¼	48	29	30	17	0.06
Female / male	G ¼	51	29	30	17	0.06
Female / female	G ½	71	64	57	27	0.25
Female / male	G ½	78.5	64	57	27	0.28
LH-RH adjusting nut / male	G ½	87	63.5	57	27	0.40
Female / female	G ⅜	62	64	43	22	0.14
Female / male	G ⅜	60	64	43	22	0.12
LH-RH adjusting nut / male	G ¼	55	29	30	17	0.07

# **FLOTECS**

# **Stopcock**

**for pressure measuring instruments**

**FLOTECS**  
Fluid/Flue solutions<sup>®</sup>

[www.flotecs.co.uk](http://www.flotecs.co.uk) / [sales@flotecs.co.uk](mailto:sales@flotecs.co.uk)

